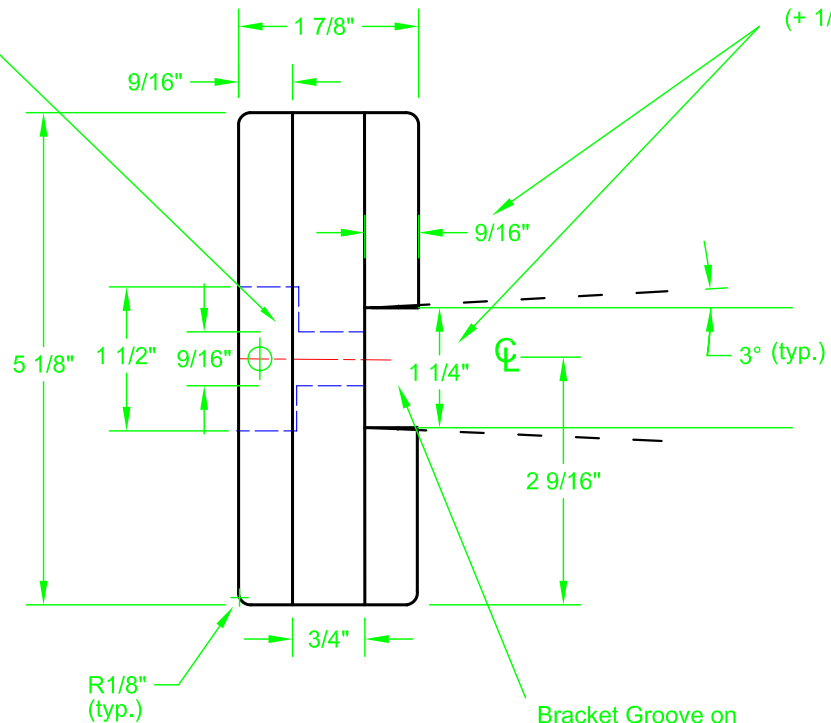


Scale: 1/2" = 1'

Typical Drill 9/16" Ø Hole  
& CSK 1-1/2" Deep  
(This Face Only)

Critical Dimension  
(+ 1/32")



Scale: 6" = 1'

# Cross Arms

## A (One Way) and B (Two Way) Series